

# SSC-N13/N13A

Analog Color Mini-Dome Cameras

**SONY**  
make.believe

## 650 TV Line Compact Security Camera with High Sensitivity

- Horizontal resolution 650 TV lines
- High sensitivity 0.4 lx (F2.0, 50 IRE, Color)
- Fixed focal lens (3.0 mm)
- Compact design

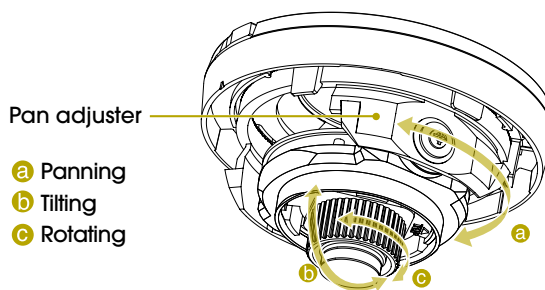


### KEY FEATURES

- High resolution (650 horizontal TV lines) and high sensitivity 0.4 lx (F2.0, 50 IRE, Color) achieved by a 1/3-type "EXview HAD CCD II" sensor and Sony's new digital signal processor, Effio-E.

#### **EXview HAD CCD II™**

- Easy and flexible camera angle adjustment achieved by a new three-hinge structure.



- a Panning
- b Tilting
- c Rotating

- Electrical Day/Night function to switch to Day or Night mode depending on the light level.
- Low power consumption: 0.9 W (Max.).

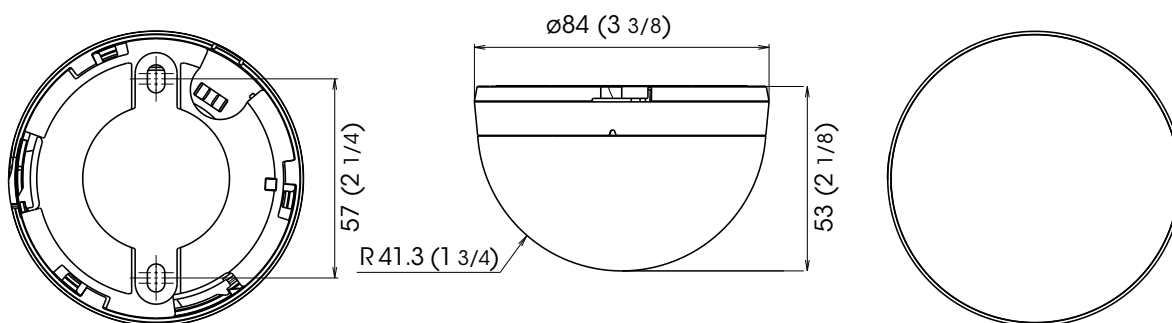
- ATR-Lite (Adaptive Tone Reproduction Lite) to compensate for gradation of subjects to an optimum level.
- iBLC to compensate for exposure levels in dark scenes to improve subject visibility.
- ATW (Automatic Tracing White) balance which automatically adjusts the camera's white balance to adapt to sudden changes in lighting conditions.
- 2D noise reduction employed.
- Custom template supplied.

## SPECIFICATIONS

	SSC-N13	SSC-N13A
<b>Camera</b>		
Image device	1/3-type "EXview HAD CCD II"	
Number of effective pixels (H x V)	570,000 pixels (976 x 582)	480,000 pixels (976 x 494)
Signal system	PAL standard	NTSC standard
Horizontal resolution	650 TV lines	
S/N ratio	More than 55 dB (AGC Off)	
Minimum illumination	Color: 0.4 lx, B/W: 0.25 lx (F2.0, 50IRE); Color: 0.2 lx, B/W: 0.08 lx (F2.0, 30IRE)	
Shutter Speed	Auto	
Video output	VBS: 1.0Vp-p	
Synchronization	Internal lock	
Gain control	Auto (on/off)	
White balance	ATW (2000K to 10000K)	
Lens type	Mono-focal lens	
Zoom ratio	Fixed	
Horizontal viewing angle	95.9 degree	
Focal length	f=3.0 mm	
F number	F2.0	
Minimum object distance	400 mm	
Iris	Fixed	
Panning range	340 degree	
Tilting range	±45.3 degree	
Swivel rotation	340 degree	
<b>Camera Features</b>		
Day/Night	Yes (Electrical D/N)	
Noise reduction	Yes (2D NR)	
Back light compensation	Yes (iBLC)	
Automatic tone reproduction	Yes (ATR-Lite)	
<b>General</b>		
Mass	125 g (4.4 oz)	
Dimensions	ø 84 mm x 53 mm (ø 3 3/8 inches x 2 1/8 inches)	
Power requirement	DC12 V ±10%	
Power consumption	Max. 0.9 W	
Operating temperature	-10 °C to +50 °C (14 °F to 122 °F)	
Storage temperature	-40 °C to +60 °C (-40 °F to 140 °F)	
Operating humidity	20 % to 80 %	
Storage humidity	20 % to 95 %	
Supplied accessories	Operating instructions x 1	

## DIMENSIONS

Unit: mm (inches)



Distributed by

© 2011 Sony Corporation. All rights reserved.  
 Reproduction in whole or in part without written permission is prohibited.  
 Features and specifications are subject to change without notice.  
 The values for weight and dimension are approximate.  
 "SONY", "make.believe", "Effio-E" and "EXview HAD CCD II"  
 are trademarks of Sony Corporation.  
 All other trademarks are the property of their respective owners.